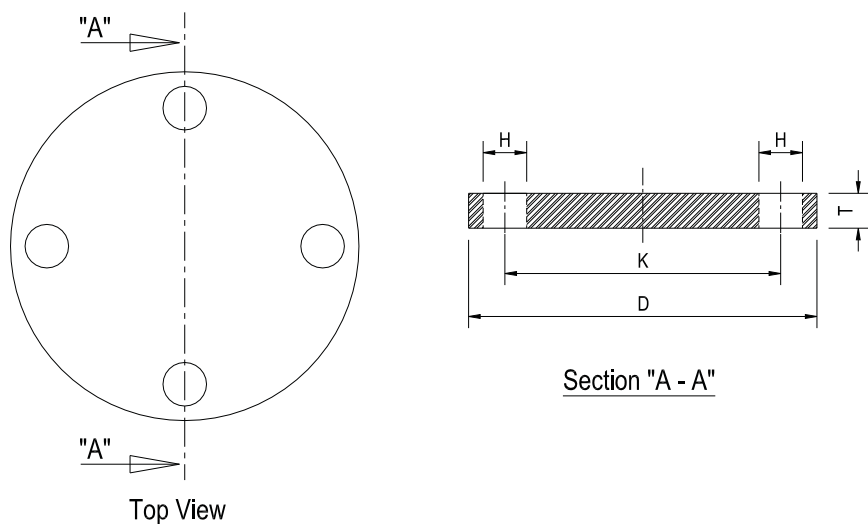


JIS 10K FF BLIND

Size		Flange			Drilling		Weight
mm	inch	D	T	K	Bolt no.	H	Kg / Pc
DN 10	3/8"	90	12	65	4	15	0.54
DN 15	1/2"	95	12	70	4	15	0.60
DN 20	3/4"	100	14	75	4	15	0.79
DN 25	1"	125	14	90	4	19	1.23
DN 32	1 1/4"	135	16	100	4	19	1.66
DN 40	1 1/2"	140	16	105	4	19	1.80
DN 50	2"	155	16	120	4	19	2.24
DN 65	2 1/2"	175	18	140	4	19	3.26
DN 80	3"	185	18	150	8	19	3.50
DN 90	3 1/2"	195	18	160	8	19	3.92
DN 100	4"	210	18	175	8	19	4.60
DN 125	5"	250	20	210	8	23	7.23
DN 150	6"	280	22	240	8	23	10.12
DN 200	8"	330	22	290	12	23	13.99
DN 250	0"	400	24	355	12	25	22.69
DN 300	12"	445	24	400	16	25	27.98
DN 350	14"	490	26	445	16	25	37.09
DN 400	16"	560	28	510	16	27	52.42
DN 450	18"	620	30	565	20	27	68.79
DN 500	20"	675	30	620	20	27	82.03
DN 550	22"	745	32	680	20	33	105.80
DN 600	24"	795	32	730	24	33	120.21



JIS 10K FF BLIND NON STANDARD

Size		Flange			Drilling		Weight
mm	inch	D	T	K	Bolt no.	H	Kg / Pc
DN 10	3/8"	90	10	65	4	15	0.45
DN 15	1/2"	95	10	70	4	15	0.50
DN 20	3/4"	100	12	75	4	15	0.68
DN 25	1"	125	12	90	4	19	1.06
DN 32	1 1/4"	135	14	100	4	19	1.46
DN 40	1 1/2"	140	14	105	4	19	1.58
DN 50	2"	155	14	120	4	19	1.96
DN 65	2 1/2"	175	14	140	4	19	2.53
DN 80	3"	185	14	150	8	19	2.72
DN 90	3 1/2"	195	14	160	8	19	3.05
DN 100	4"	210	14	175	8	19	3.58
DN 125	5"	250	17	210	8	23	6.14
DN 150	6"	280	18	240	8	23	8.28
DN 200	8"	330	19	290	12	23	12.08
DN 250	0"	400	20	355	12	25	18.91
DN 300	12"	445	20	400	16	25	23.32
DN 350	14"	490	21	445	16	25	29.96
DN 400	16"	560	22	510	16	27	41.18
DN 450	18"	620	24	565	20	27	55.03
DN 500	20"	675	24	620	20	27	65.63
DN 550	22"	745	25	680	20	33	82.65
DN 600	24"	795	25	730	24	33	93.91