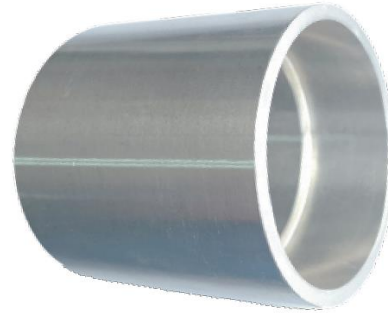
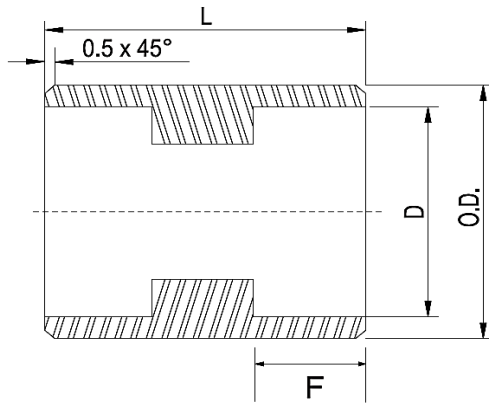




STAINLESS STEEL

SOCKET WELDED FITTINGS

DIMENSION CONFORM TO ANSI/MSS SP-114-2018
 MATERIAL CONFORM TO ASTM A351 GR. CF8 & CF8M
 PRESSURE-TEMPERATURE RATINGS 300 PSI (-29 TO 66°C)
 MADE BY LOST WAX INVESTMENT CASTING



SOCKET WELD COUPLING

SIZE	O.D.	D	L	F	Weight
	(mm)	(mm)	(mm)	(mm)	(Kg/Pc)
1/8"	15.0	11.0	17.0	6.0	0.016
1/4"	18.5	14.4	25.0	9.0	0.032
3/8"	21.3	17.7	26.0	9.5	0.036
1/2"	26.4	22.0	34.0	13.0	0.050
3/4"	31.8	27.5	36.0	14.0	0.068
1"	39.5	34.2	43.0	15.5	0.120
1 1/4"	49.3	43.0	48.0	18.0	0.185
1 1/2"	55.5	49.0	48.0	18.0	0.237
2"	69.0	61.2	56.0	21.0	0.411
2 1/2"	87.0	74.2	65.0	25.5	0.906
3"	100.0	90.0	71.0	27.5	0.931
4"	126.0	115.5	83.0	33.5	1.448