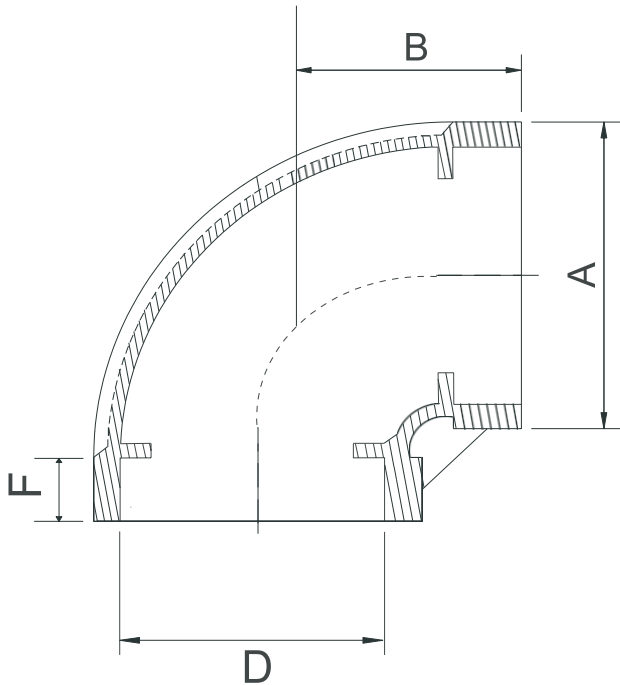




STAINLESS STEEL SOCKET WELDED FITTINGS

DIMENSION CONFORM TO ANSI/MSS SP-114-2018
 MATERIAL CONFORM TO ASTM A351 GR. CF8 & CF8M
 PRESSURE-TEMPERATURE RATINGS 300 PSI (-29 TO 66°C)
 MADE BY LOST WAX INVESTMENT CASTING



SOCKET WELD ELBOW 90°

Size	A (mm)	B (mm)	D (mm)	F (mm)	Weight (Kg/Pc)
1/8"	14.00	17.00	11.00	7.00	0.028
1/4"	17.30	19.00	14.40	7.00	0.057
3/8"	21.00	21.30	17.70	8.00	0.084
1/2"	26.50	26.30	22.00	8.00	0.113
3/4"	33.00	31.50	27.50	10.0	0.169
1"	41.80	34.80	34.20	10.0	0.227
1 1/4"	50.00	42.00	43.00	12.0	0.283
1 1/2"	57.60	46.20	49.00	12.0	0.341
2"	69.00	52.40	61.20	13.0	0.453
2 1/2"	90.00	68.90	74.20	19.0	0.566
3"	100.0	74.00	90.00	21.0	0.679
4"	127.0	89.70	115.50	22.0	0.906