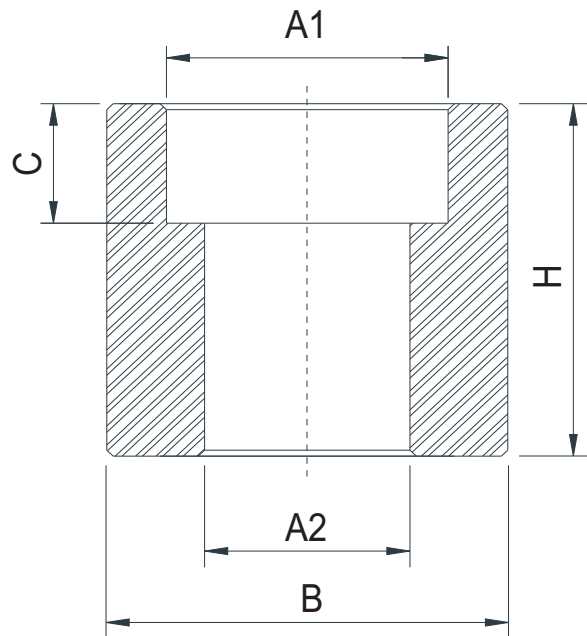


CLASS
3000



SOCKET WELDED HALF COUPLING

| No. | Size | A1 | A2 | B | C | H | Weight |
|-----|------|------|------|------|------|------|-----------|
| | | (mm) | (mm) | (mm) | (mm) | (mm) | (Kg / Pc) |
| 1. | 1/2" | 22.0 | 16.1 | 32.0 | 10.5 | 33.0 | 0.13 |
| 2. | 3/4" | 27.3 | 21.5 | 38.1 | 14.5 | 39.1 | 0.21 |
| 3. | 1" | 34.2 | 27.3 | 44.4 | 13.8 | 42.0 | 0.31 |