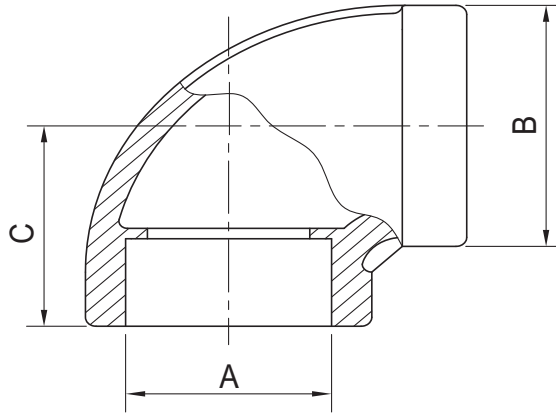


**CLASS
150**



SOCKET WELDED ELBOW 90°

No.	Size	A	B	C	Weight
		(mm)	(mm)	(mm)	(Kg/Pc)
1.	1/2"	22.0	29.2	27.0	0.08
2.	3/4"	27.5	33.5	30.0	0.09
3.	1"	34.5	41.5	35.0	0.15
4.	1 1/4"	43.0	49.0	43.0	0.23
5.	1 1/2"	49.0	55.5	45.0	0.30
6.	2"	61.0	69.3	54.0	0.48