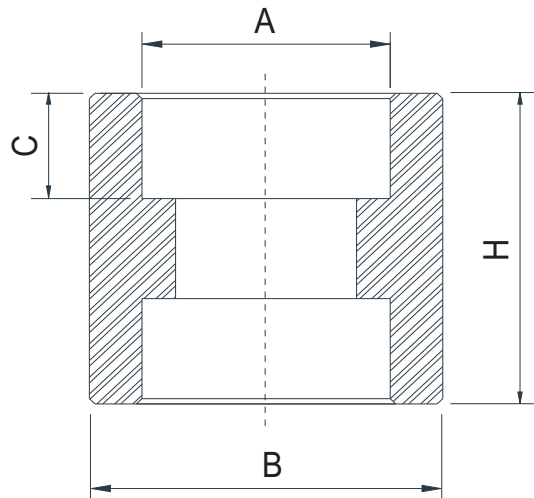


CLASS
3000



SOCKET WELDED COUPLING

No.	Size	A	B	C	H	Weight
		(mm)	(mm)	(mm)	(mm)	(Kg / Pc)
1.	1/2"	22.1	32.1	12.5	34.2	0.12
2.	3/4"	27.5	38.1	13.8	37.5	0.17
3.	1"	34.2	46.2	15.0	43.0	0.27
4.	1 1/4"	43.0	57.0	17.0	46.7	0.43
5.	1 1/2"	49.0	64.2	17.7	48.2	0.53
6.	2"	61.5	75.0	22.0	58.0	0.71