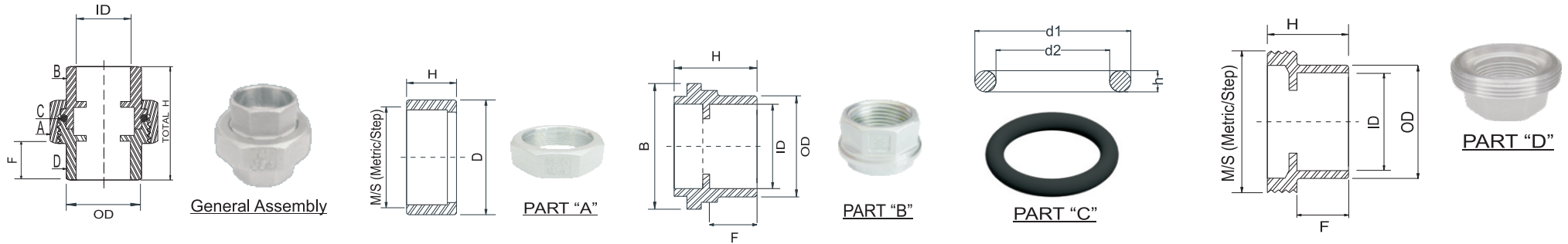




STAINLESS STEEL SOCKET WELDED FITTINGS

DIMENSION CONFORM TO ANSI/MSS SP-114-2018
 MATERIAL CONFORM TO ASTM 351 GR. CF8 & CF8M
 PRESSURE-TEMPERATURE RATINGS 300 PSI (-29 TO 66 C)
 MADE BY LOST WAX INVESTMENT CASTING

SOCKET WELD UNION EPDM GASKET Standard Pattern



DIMENSIONS

DIMENSIONS PART A

DIMENSIONS PART B

DIMENSIONS PART C

DIMENSIONS PART D

Size	Total H (mm)	OD (mm)	ID (mm)	F (mm)
1/4"	38.00	18.00	14.40	7.00
1/8"	42.00	22.00	17.70	10.00
1/2"	44.00	27.00	22.00	12.00
3/4"	49.00	32.00	27.50	12.00
1"	49.00	38.00	34.20	15.00
1 1/4"	60.00	49.00	43.00	15.00
1 1/2"	66.00	56.50	49.00	15.00
2"	69.00	69.80	61.20	15.00
2 1/2"	74.00	81.80	74.00	19.00
3"	88.00	95.80	85.00	21.00
4"	103.0	124.5	115.0	22.00

D (mm)	H (mm)	M/S (mm)	
30.00	15.60	24.00	1.50
35.00	14.40	30.00	1.50
43.00	17.30	36.00	2.00
47.00	18.80	42.00	2.00
53.00	19.30	48.00	2.00
71.00	25.90	62.00	2.00
77.00	24.60	68.00	2.00
92.00	27.50	82.00	2.50
109.0	27.80	100.0	2.50
122.0	28.80	114.0	2.50
152.0	39.50	146.0	2.50

B (mm)	OD (mm)	ID (mm)	F (mm)	H (mm)
23.80	18.00	14.40	7.00	18.6
27.50	22.00	17.70	10.00	21.2
33.20	27.00	22.00	12.00	20.5
38.30	32.00	27.50	12.00	23.9
44.70	38.00	34.20	15.00	23.0
59.30	49.00	43.00	15.00	28.3
65.50	56.50	49.00	15.00	32.0
78.50	69.80	61.20	15.00	29.5
96.80	81.80	74.00	19.00	34.9
110.3	95.80	85.00	21.00	42.9
115.5	124.5	115.0	22.00	49.8

d1 (mm)	d2 (mm)	h (mm)
24.00	16.00	4.00
26.00	16.00	5.00
32.00	22.00	5.00
36.00	26.00	5.00
42.00	32.00	5.00
58.00	47.00	5.00
65.00	55.00	5.00
72.00	62.00	5.00
95.00	83.00	5.70
105.0	93.60	5.70
130.0	118.6	5.70

OD (mm)	ID (mm)	F (mm)	M/S (mm)		H (mm)
18.00	14.40	7.00	24.00	1.50	19.60
22.00	17.70	10.00	30.00	1.50	21.00
27.00	22.00	12.00	36.00	2.00	23.00
32.00	27.50	12.00	42.00	2.00	25.90
38.00	34.20	15.00	48.00	2.00	25.00
49.00	43.00	15.00	62.00	2.00	32.50
56.50	49.00	15.00	68.00	2.00	32.50
69.80	61.20	15.00	82.00	2.50	38.70
81.80	74.00	19.00	100.0	2.50	37.50
95.80	85.00	21.00	114.0	2.50	45.00
124.5	115.0	22.00	146.0	2.50	52.00

Weight (Kg/Pc)
0.09
0.12
0.18
0.23
0.26
0.65
0.73
1.09
1.44
1.95
3.90